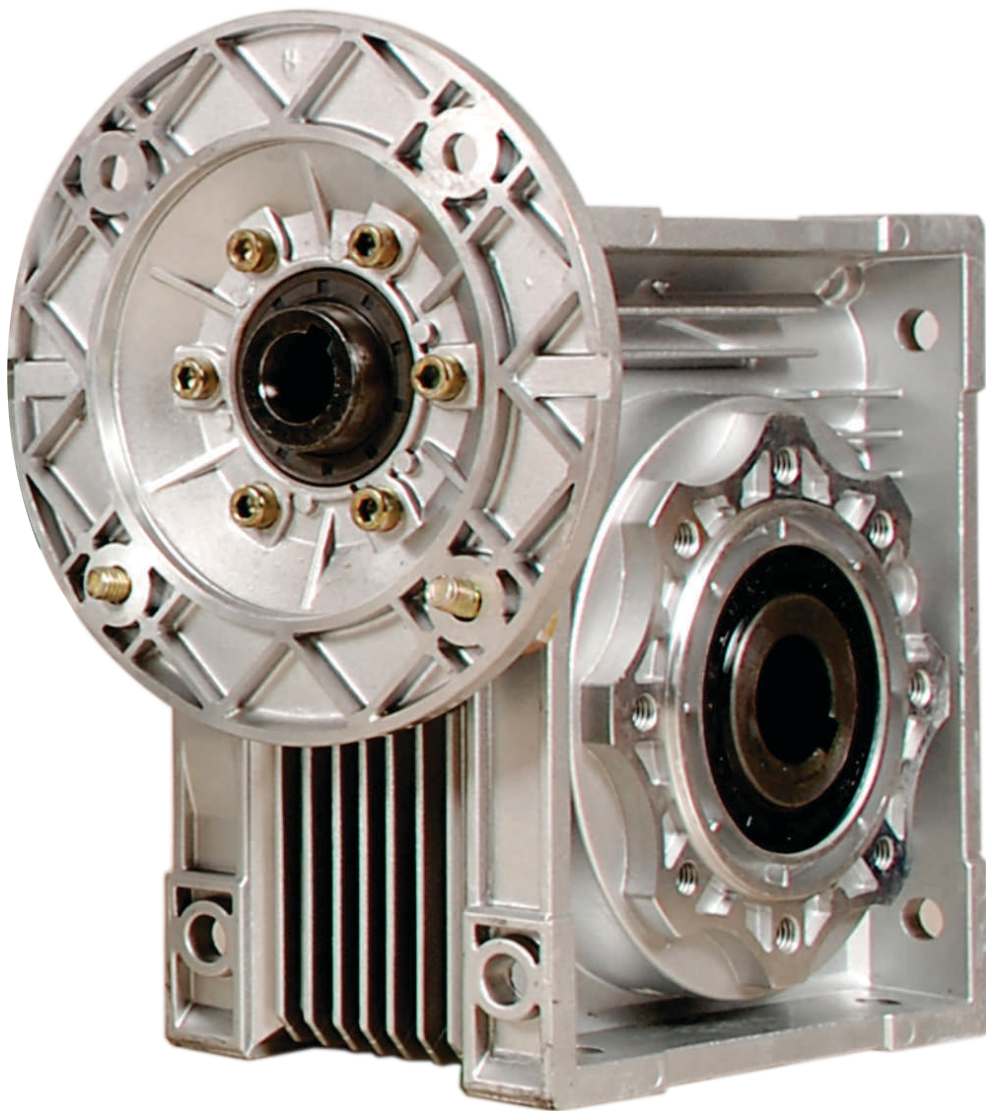




**RoBoox**  
TRANSMISSION TIGER  
[www.robox.in](http://www.robox.in)

# About Roboox Gear

RoBoox Gears are manufactured by one of the largest gear box manufacturer in the world with over 20 year production experience and is supplied to many countries worldwide. Facing to international market, our company with strong technology power, advanced equipment, mature processing method and complete inspecting facility concentrates on manufacturing gearboxes and related products for international markets. Pursuing high quality, perfect service and reasonable price, RoBoox is becoming a bright star in the field of transmission industry in India. We believe “Quality is never an accident, it is a result of an intelligent effort”.



# Selecton Guide

a	l	P1	n2	T2	
30	7.5	0.18	187	7	
	10		140	9	
	15		93.3	13	
	20		70	17	
	25		56	21	
	30		46.7	24	
	40	0.12	35	19	
	50		28	17	
	60		0.09	23	16
	80		0.06	17.5	13
100	14	11			

1.2kg

a	l	P1	n2	T2	
40	7.5	0.37	187	16	
	10		140	20	
	15		93.3	28	
	20		70	39	
	25		56	23	
	30		46.7	53	
	40	0.25	35	44	
	50		28	39	
	60		0.18	23	36
	80		0.12	17.5	34
100	14	31			

2.3kg

a	l	P1	n2	T2	
50	7.5	0.75	187	33	
	10		140	42	
	15		93.3	58	
	20		70	73	
	25		56	74	
	30		46.7	81	
	40	0.55	35	76	
	50		28	75	
	60		0.38	23	74
	80		0.25	17.5	72
100	14	60			

3.8kg

a	l	P1	n2	T2	
63	7.5	1.5	187	68	
	10		140	89	
	15		93.3	93	
	20	1.1	70	122	
	25		56	100	
	30		46.7	114	
	40		35	143	
	50	0.75	28	124	
	60		23	140	
	80		18	122	
	100		0.55	14	118

6.2kg

a	l	P1	n2	T2
75	7.5	3	187	137
	10		140	180
	15		93.3	191
	20	2.2	70	216
	25		56	205
	30		46.7	233
	40	1.5	35	245
	50		28	210
	60		23	246
	80		18	220
	100	1.1	14	210

9kg

a	l	P1	n2	T2
90	7.5	4	187	180
	10		140	236
	15		93.3	342
	20		70	344
	25	3	56	420
	30		46.7	479
	40		35	390
	50	2.2	28	368
	60	1.5	23	365
	80		17.5	365
	100	1.1	14	338

13kg

a	l	P1	n2	T2
110	10	5.5	140	328
	15		93.3	484
	20		70	638
	25		56	788
	30	4	46.7	647
	40	3	35	638
	50		28	765
	60	2.2	23	648
	80	1.5	18	548
	100	1.1	14	473

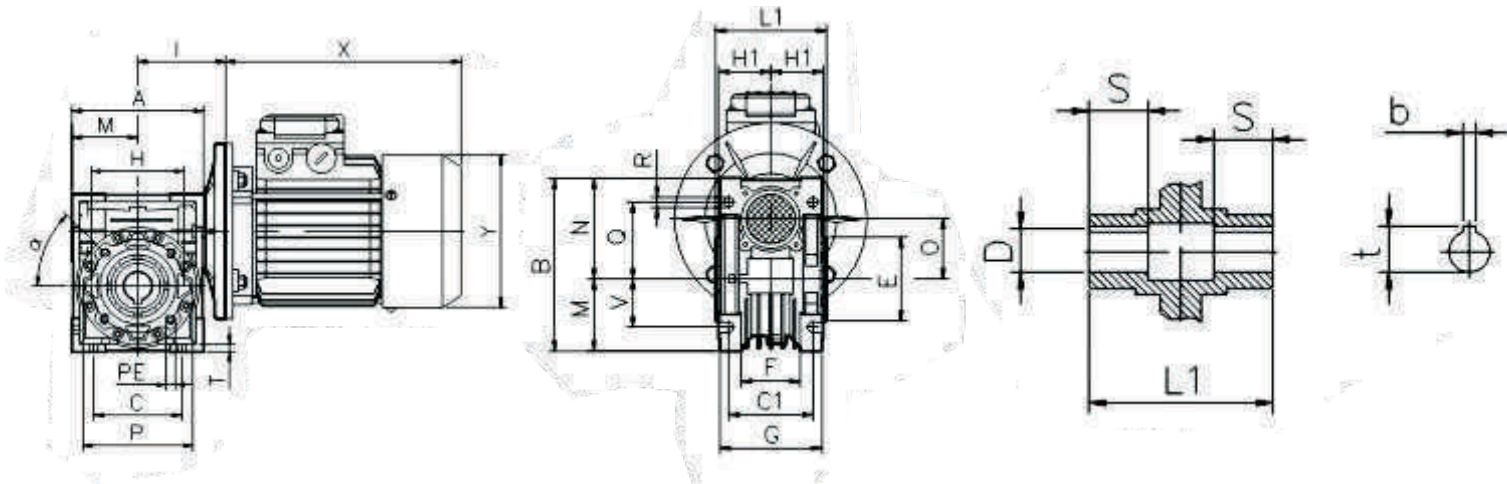
42.5kg

a	l	P1	n2	T2
130	10	7.5	140	
	15		93.3	668
	20		70	880
	25		56	1074
	30	5.5	46.7	900
	40		35	1171
	50		28	1023
	60	4	23	1179
	80		18	816
	100	2.2	14	966

59kg

Abbreviation	
a	(mm) Distance of center
i	Ratio
P1	Input Power (kw)
n2	Output Speed (r/min)
T2	Output Torque (N.m)

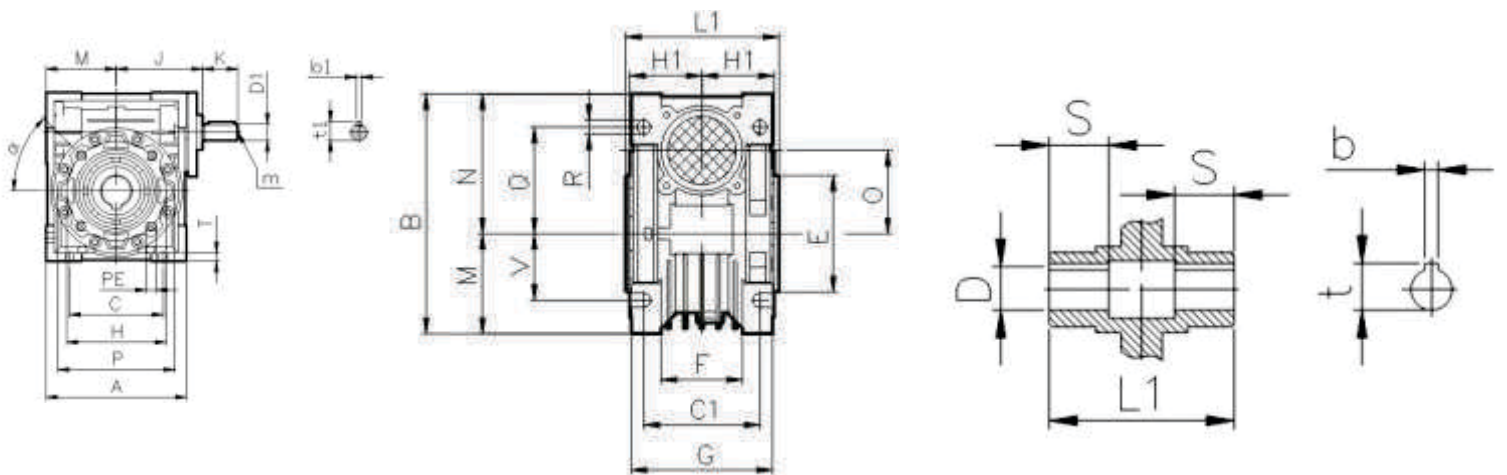
# Type NMRV Dimensions for Hollow Input / Hollow Output



	A	B	C	C1	D(H7)	E(H8)	F	G	H	H1	L1	M	N	O	P
030	80	97	54	44	14	55	32	56	65	29	63	40	57	30	75
040	100	121.5	70	60	18(19)	60	43	71	75	36.5	78	50	71.5	40	87
050	120	144	80	70	25(24)	70	49	85	85	43.5	92	60	84	50	100
063	144	174	100	85	25(25)	80	67	103	95	53	112	72	102	63	110
075	172	205	120	90	28(35)	95	72	112	115	57	120	86	119	75	140
090	206	238	140	100	35(38)	110	74	130	130	67	140	103	135	90	160
110	255	295	170	115	42	130	-	144	165	74	155	127.5	167.5	110	200
130	293	335	200	120	45	180	-	155	215	81	170	146.5	187.5	130	250
150	340	400	240	145	50	180	-	185	215	96	200	170	230	150	250

	Q	R	S	T	V	PE	b	t	·	Kg.
030	44	6.5	21	5.5	27	M6x11(n=4)	5	16.3	0°	1.2
040	55	6.5	26	6.5	35	M6x8(n=4)	6	20.8(21.8)	45°	2.3
050	64	8.5	30	7	40	M8x10(n=4)	8	28.3(27.3)	45°	3.8
063	80	8.5	36	8	50	M8x14(n=8)	8	28.3(31.3)	45°	6.2
075	93	11	40	10	60	M8x14(n=8)	8(10)	31.1(38.3)	45°	9
090	102	13	45	11	70	M10x18(n=8)	10	38.3(41.3)	45°	13
110	125	14	50	14	85	M10x18(n=8)	12	45.3	45°	42.5
130	140	16	60	15	100	M12x21(n=8)	14	48.8	45°	59
150	180	18	72.5	18	120	M12x21(n=8)	14	53.8	45°	87

# Type NRV Dimensions for Solid Input/ Hollow Output

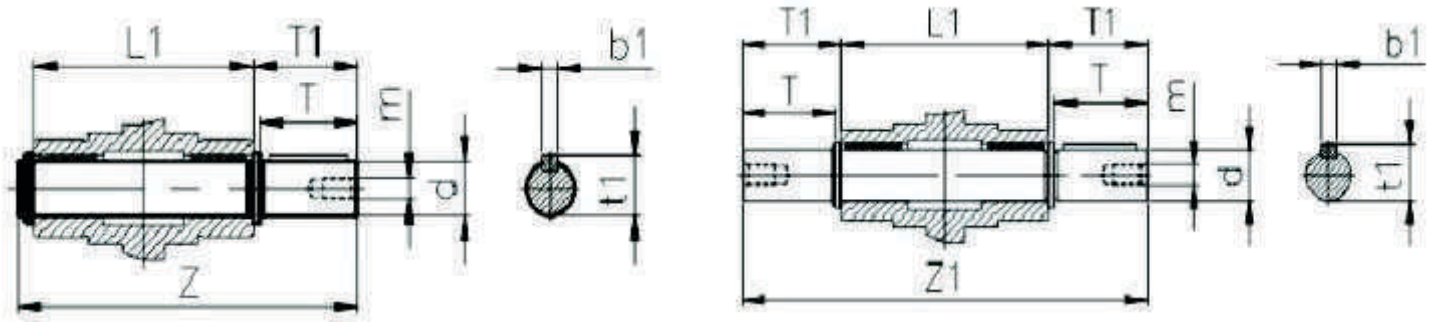




	A	B	C	C1	D(H7)	D1(J6)	E(H8)	F	G	H	H1	J	K	L1	M	N	O	P
030	80	97	54	44	14	9	55	32	56	65	29	51	20	63	40	57	30	75
040	100	121.5	70	60	18(19)	11	60	43	71	75	36.5	60	23	78	50	71.5	40	87
050	120	144	80	70	25(24)	14	70	49	85	85	43.5	74	30	92	60	84	50	100
063	144	174	100	85	25(28)	19	80	67	103	95	53	90	40	112	72	102	63	110
075	172	205	120	90	28(35)	24	95	72	112	115	57	105	50	120	86	119	75	140
090	206	238	140	100	35(38)	24	110	74	130	130	67	125	50	140	103	135	90	160
110	255	295	170	115	42	28	130	-	144	165	74	142	60	155	127.5	167.5	110	200
130	293	335	200	120	45	30	180	-	155	215	81	162	80	170	146.5	188.5	130	250
150	340	400	240	145	50	35	180	-	185	215	96	195	80	200	170	230	150	250

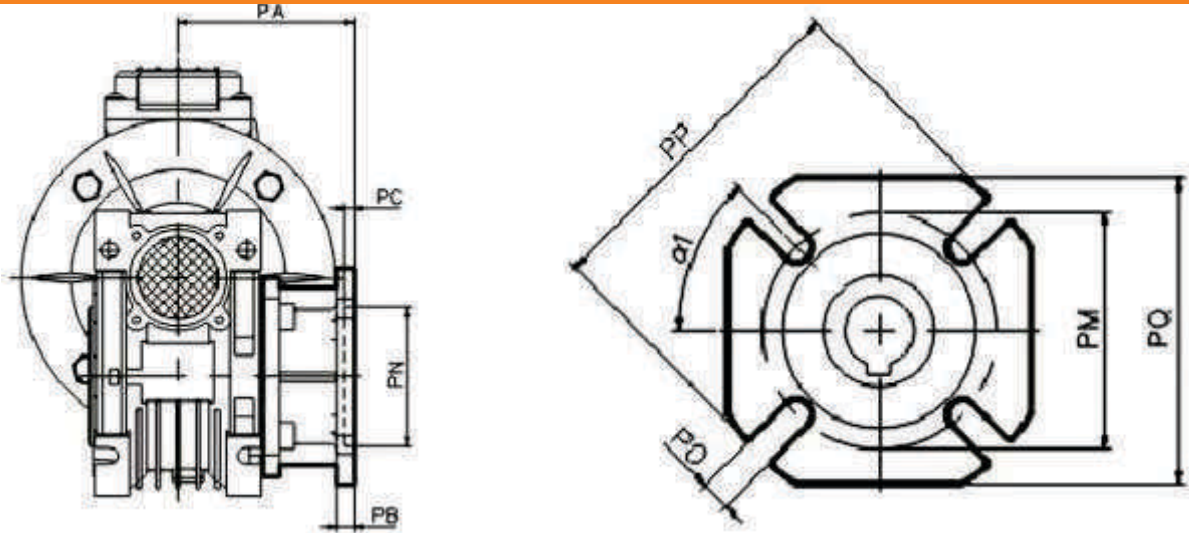
	Q	R	S	T	V	PE	b	b1	t	t1	m	.	kg.
030	44	6.5	21	5.5	27	M6X11(n=4)	5	3	16.3	10.2	-	0°	1.2
040	55	6.5	26	6.5	35	M6X8(n=4)	6	4	20.8(21.8)	12.5	-	45°	2.3
050	64	8.5	30	7	40	M8X10(n=4)	8	5	28.3(27.3)	16.0	M6	45°	3.8
063	80	8.5	36	8	50	M8X14(n=8)	8	6	28.3(31.3)	21.5	M6	45°	6.2
075	93	11	40	10	60	M8X14(n=8)	8(10)	8	31.1(38.3)	27.0	M8	45°	9
090	102	13	45	11	70	M10X18(n=8)	10	8	38.3(41.3)	27.0	M8	45°	13
110	125	14	50	14	85	M10X18(n=8)	12	8	45.3	31.0	M10	45°	42.5
130	140	16	60	15	100	M12X21(n=8)	14	8	48.8	33.0	M10	45°	59
150	180	18	72.5	18	120	M12X21(n=8)	14	10	53.8	38	M12	45°	87

## Output Shaft (SS,DS) Dimensions



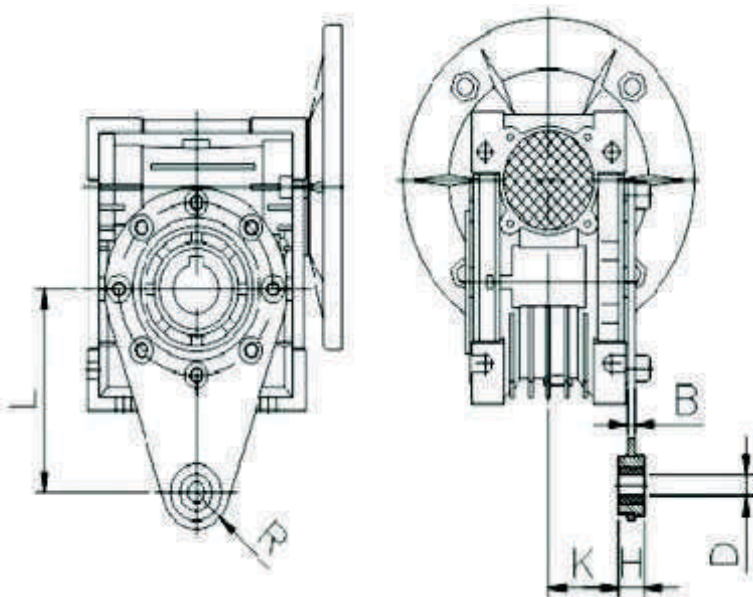
	d(h6)	T	T1	L1	Z	Z1	m	b1	t1
025	11	23	25.5	50	81	101	-	4	12.5
030	14	30	32.5	63	102	128	M6	5	16
040	18	40	43	78	128	164	M6	6	20.5
050	25	50	53.5	92	153	199	M10	8	28
063	25	50	53.5	112	173	219	M10	8	28
075	28	60	63.5	120	192	247	M10	8	31
090	35	80	84.5	140	234	309	M12	10	38
110	42	80	84.5	155	249	324	M16	12	45
130	45	80	85	170	265	340	M16	14	48.5
150	50	82	87	200	297	374	M16	14	53.5

# Output Flange Dimensions



		030	040	050	063	075	090	110	130	150
FA	PA	54.5	67	90	82	111	111	139	140	155
	PB	6	7	9	10	13	13	15	15	15
	PC	4	4	5	6	6	6	6	6	6
	PN	50	60	70	115	130	152	170	180	180
	PM	68	75	85	150	165	175	230	255	255
	PO	6.5(n=4)	9(n=4)	11(n=4)	11(n=4)	14(n=4)	14(n=4)	14(n=8)	16(n=8)	16(n=8)
	PP	80	110	125	180	200	210	280	320	320
	PQ	70	95	110	142	170	200	260	290	290
	α1	45°	45°	45°	45°	45°	45°	45°	45°	22.5°
FB	PA	-	97	120	112	-	122	-	-	-
	PB	-	7	9	10	-	18	-	-	-
	PC	-	4	5	6	-	6	-	-	-
	PN	-	60	70	115	-	180	-	-	-
	PM	-	75	85	150	-	215	-	-	-
	PO	-	9(n=4)	11(n=4)	11(n=4)	-	14(n=4)	-	-	-
	PP	-	110	125	180	-	250	-	-	-
	PQ	-	95	110	142	-	-	-	-	-
	α1	-	45°	45°	45°	-	45°	-	-	-

# Torque Arm (A) Dimensions



	L	H	K	D	R	B
025	70	14	17.5	8	15	4
030	85	14	24	8	15	4
040	100	14	31.5	10	18	4
050	100	14	38.5	10	18	4
063	150	14	49	10	18	6
075	200	25	47.5	20	30	6
090	200	25	57.5	20	30	6
110	250	30	62	25	35	6
130	250	30	69	25	35	6
150	250	30	84	25	35	8

## Other Product Range



RoBoox AC Motor



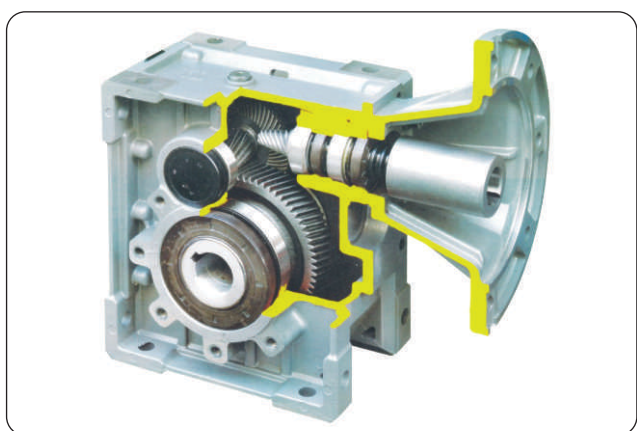
RoBoox AC Drive



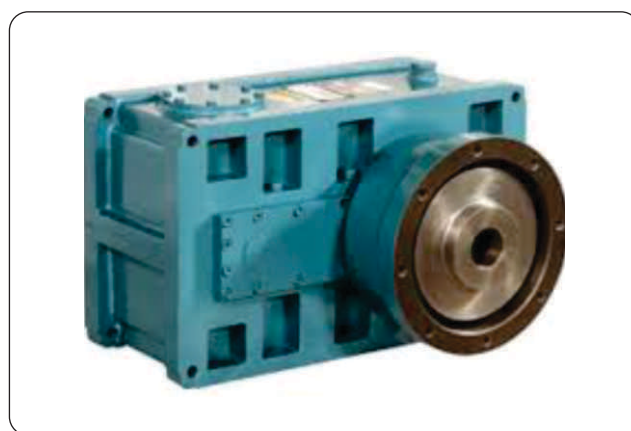
GGM Geared Motor



RoBoox Cycloidal Gear box



Bevel Gear Box  
(In Aluminium Casing)



RoBoox Extruder gear box

**Head Office :**

F/8, Akash Bhoomi Complex,  
Nr. Daxeshwar Temple, Surat-Navsari  
Main Road, Fatehnagar, Surat-394220  
Gujarat, India. | P +91 261 2890920/940  
E [info@roboox.in](mailto:info@roboox.in)

**Branch Office :**

216, Puskar Estate,  
Phase-1, Opp Macons, Nr. Ferromatic  
GIDC, Vatva Ahmedabad-382445  
Gujarat, India. | P +91 79 40370920  
E [info@roboox.in](mailto:info@roboox.in)

Distribution Partner



**RoBoox**

TRANSMISSION TIGER

[www.roboox.in](http://www.roboox.in)